

NIENKÄMPER

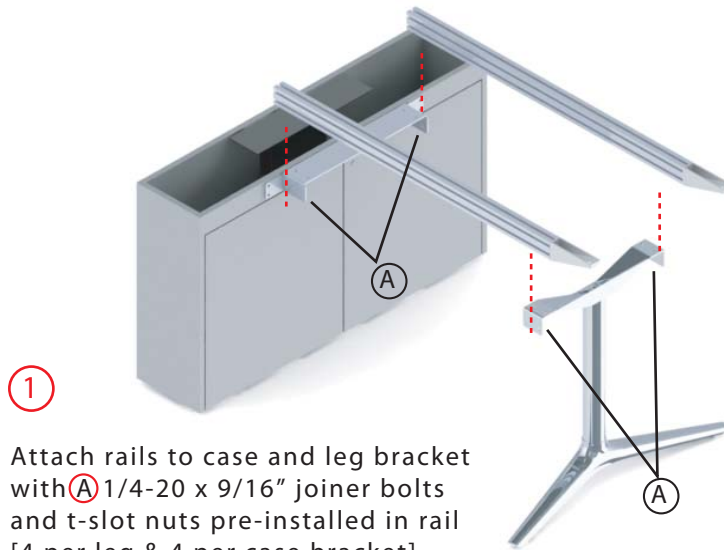
Gateway with TV lift- installation

THIS DRAWING IS CONFIDENTIAL AND PROPRIETARY. NO PART OF THIS DRAWING MAY BE COPIED, DISCLOSED TO ANY THIRD PARTY OR USED FOR ANY PURPOSE WITHOUT THE EXPRESS WRITTEN AUTHORIZATION OF NIENKÄMPER FURNITURE & ACCESSORIES



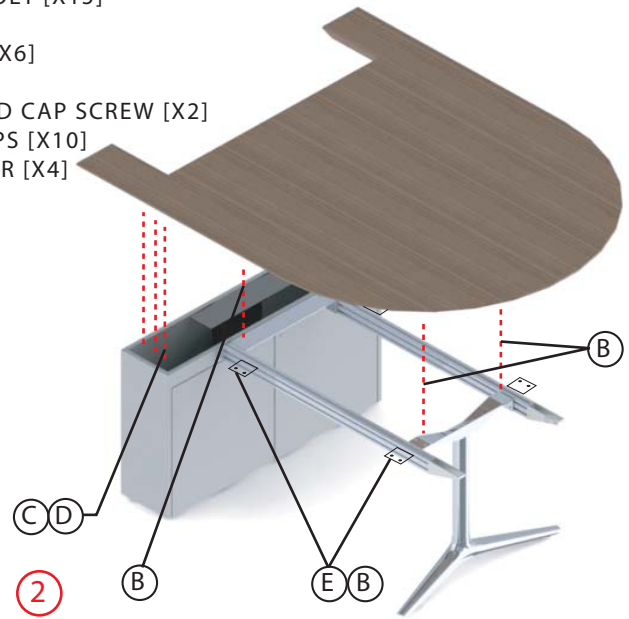
HARDWARE LIST:

- A 1/4"-20 X 9/16" JOINER BOLT [X8]
- B 1/4"-20 X 7/8" JOINER BOLT [X15]
- C MINI-FIX POST [X6]
- D MINI-FIX CAM & COVER [X6]
- E RAIL BRACKET [X4]
- F 1/4-20 X 3" SOCKET HEAD CAP SCREW [X2]
- G WIRE MANAGEMENT CLIPS [X10]
- H SELF ADHESIVE MANAGER [X4]



1

Attach rails to case and leg bracket with **A** 1/4-20 x 9/16" joiner bolts and t-slot nuts pre-installed in rail [4 per leg & 4 per case bracket].



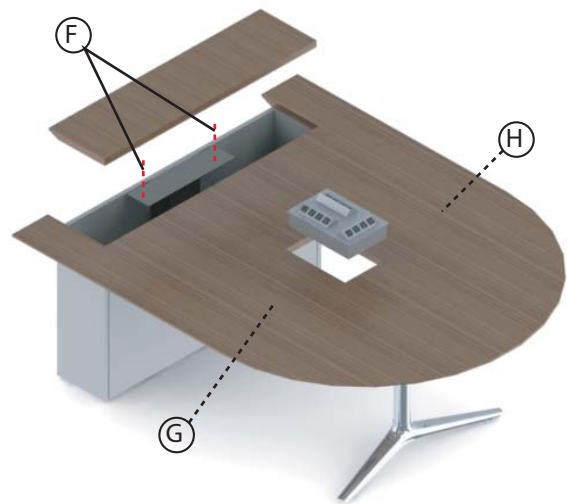
2

Install **C** mini-fix post by screwing into pre-installed inserts on underside of top [x6]. Insert **D** mini-fix cams in countersunk holes in case [x6]. Carefully align with case and set top in place- turn mini-fix cam to lock into position. Using **B** 1/4"-20 x 7/8" joiner bolts [x15] fasten rail brackets, case bracket and leg to top.



3

Plug lift into power source and extend. In this position install your TV according to lift suppliers installation instructions included.



4

Align threaded inserts in lid with through holes in top plate of lift. Secure with **F** 1/4"-20 x 3" socket head cap screws. **Note, the lid is meant to be loose- this is to ensure fingers are not pinched during operation- see lift guide for further safety details.**

Install the power / connectivity device and secure wire with -plastic clips in rail and exit through case.

Customer Support: 1-800-668-9318 / 1-416-298-9386