

NIENKÄMPER Pivot™ Table Assembly

THIS DRAWING IS CONFIDENTIAL AND PROPRIETARY. NO PART OF THIS DRAWING MAY BE COPIED, DISCLOSED TO ANY THIRD PARTY OR USED FOR ANY PURPOSE WITHOUT THE EXPRESS WRITTEN AUTHORIZATION OF NIENKÄMPER FURNITURE & ACCESSORIES

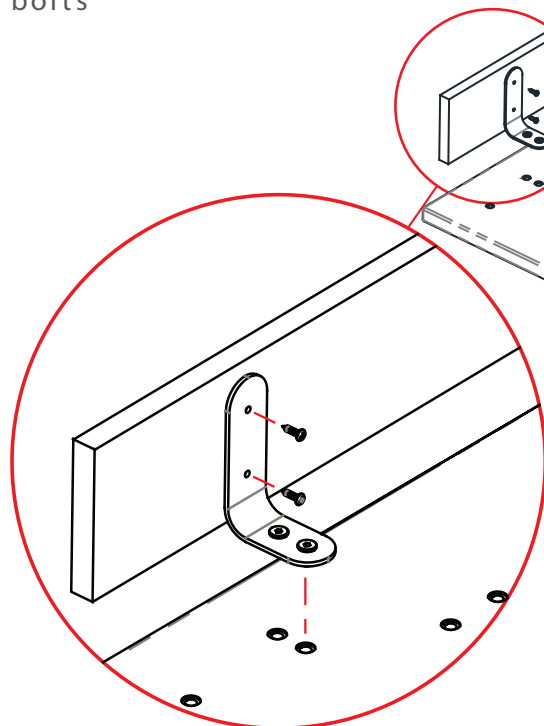
Base and rail assembly seat into installed hinge assembly and is held with flat plate and qty 4 M6 x 14mm pan head screws

Tables with modesty panel:
Locate the modesty panel, "L" brackets and (qty 4) #6 wood screws.

Align the pilot holes in the back of the panel with the through holes on the long tab of the bracket and secure with wood screws. Repeat for both ends.

Once the "L" brackets are fixed to the modesty panel, secure the assembly to the underside of the top with (qty 4) 1/4-20 joiner bolts

Installation details for hinge, handle and cover on next page.



Once base assembly and modesty panel is secured to top, carefully rotate to proper position on casters and install power / data box as instructed in appropriate installation guide

Ganging clips are held in place with thumb screws.

Rev. April 19, 2019