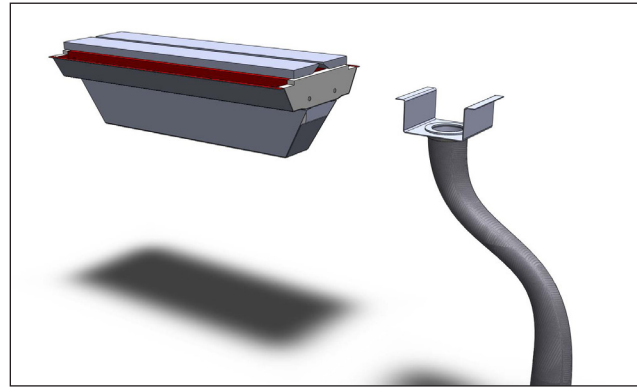


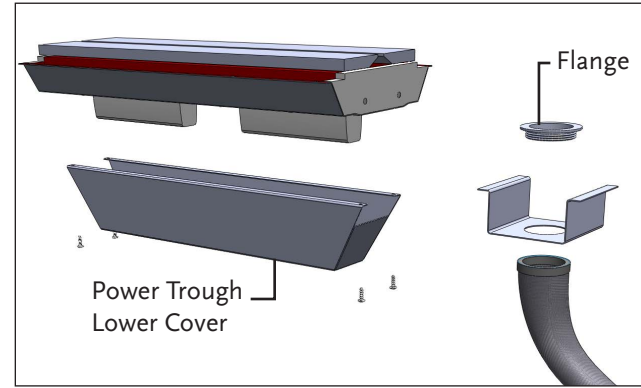
TROUGH AND CONDUIT



13

The cable conduit can be mounted to the underside of the top or directly to the Power trough cover. Cable conduit comes assembled with a bracket to mount it directly to the underside of the top.

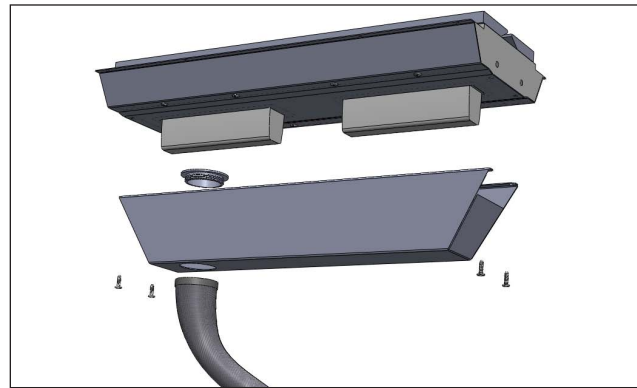
POWER TROUGH



14

Remove the lower cover of the power trough by loosening 4 Chicago bolts. Remove the steel U shaped bracket from the conduit by unscrewing the aluminum flange. The flange is hand tightened and does not require any tools to remove.

CONDUIT ON TROUGH



15

There is a hole in the power trough lower cover. Place the conduit flange in the hole and align with the conduit. Hand tighten until snug.

Metronome™

INSTALLATION GUIDE

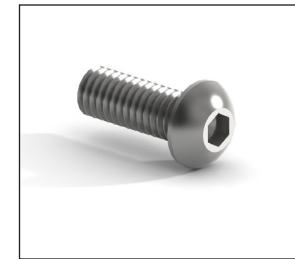
Tel 800-668-9318
Tel 416-298-5700
Fax 416-298-9535
mail@nienkamper.com
www.nienkamper.com



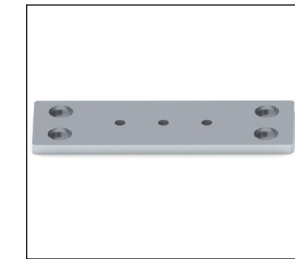
5/16"-18 x 1-3/4" cap screw



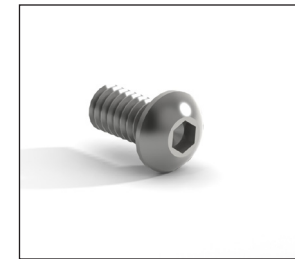
Base mounting plate
2-1/4" x 1-1/4" x 1/4"



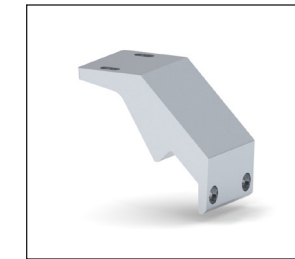
5/16"-18 x 7/8" socket button head screw



Mid mounting plate
6" X 2" X 1/4"



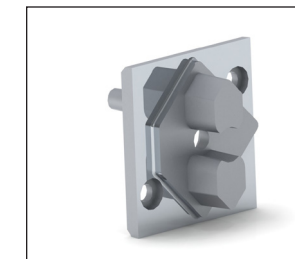
1/4"-20 x 3/4" socket button head screw



Outrigger Bracket



1/4"-20 x 1/2" socket button head screw



Mid base splice
4 required per base



1/4"-20 x 7/8" Chicago bolt

nienkämper

LOCATE BASES



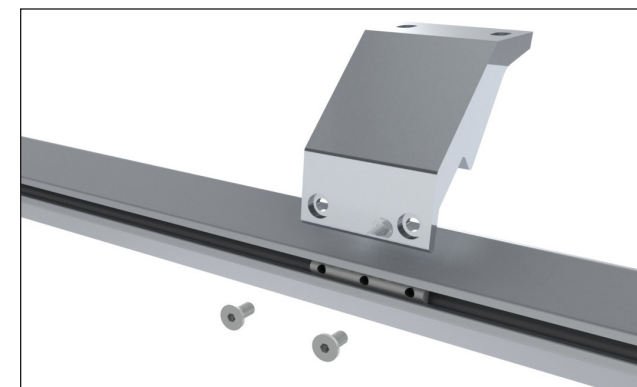
Locate bases and rails. Stand bases upside down.

RAILS TO END BASE



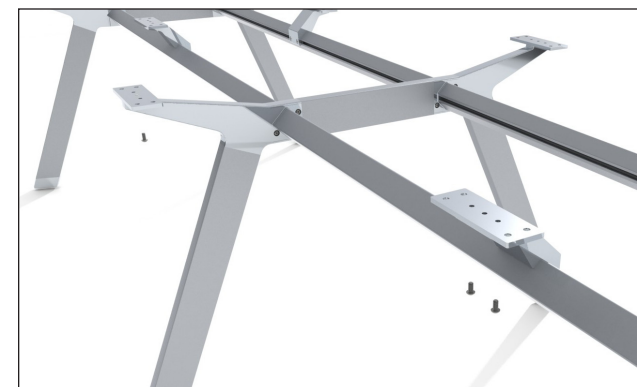
Attach rails to end base using 5/16"-18 x 1-3/4" cap screw. Align the groove in the rail towards the center of the base.

OUTRIGGERS



Attach outrigger to support rail with 1/4"-20 x 5/8" Chicago bolts

POSITIONING RAILS



Attach mid bracket to the Outrigger using 1/4"-20 x 1/2" socket button head screw.

MID BASE COMPONENTS



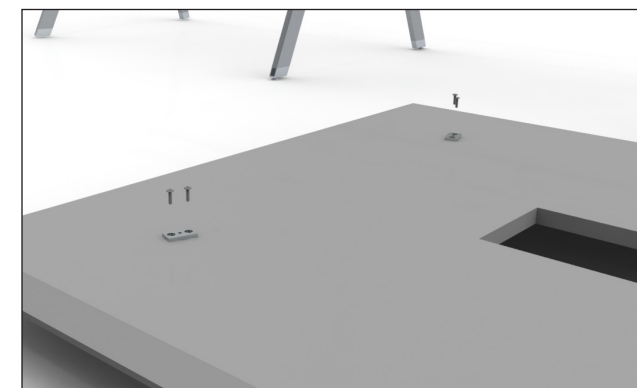
Locate the Mid base and the Mid base splice. (4) mid base splices, (4) 5/16-18 x 7/8" button head cap screw, and (8) 1/4-20 x 3/4" button head cap screw are required per mid base.

MID BASE SPLICE TO RAILS



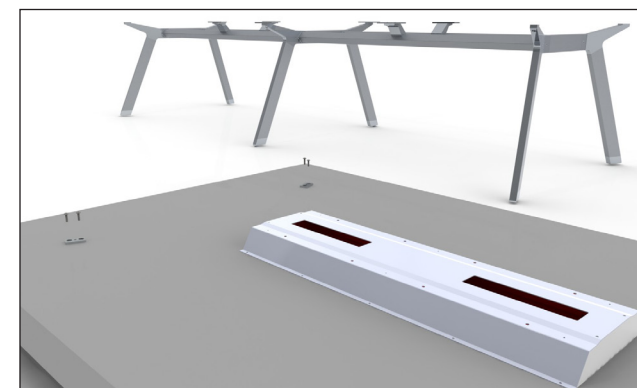
Attach the Mid splice to the Support rail with the 5/16-18 x 7/8" button head cap screw.

MOUNT PLATES TO TOP



Place worksurface upside down on a clean blanket. Attach Base mounting plate 2-1/8" x 1-1/4" x 1/4" to the underside of the worksurface with (2) 1/4-20 x 7/8" Chicago bolts.

POWER TROUGH



Place Power trough face down in the open of the worksurface. Attach the Power trough to the top with #8 x 3/4" wood screws.

RAILS TO MID BASE



Attach Mid splice and rail to the Mid base with the 1/4-20 x 3/4" button head cap screw.

STAND BASES UP



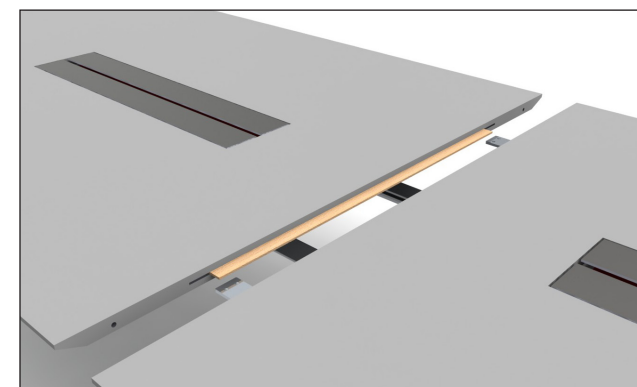
Using one person at each base stand base and rail assembly right side up.

BASE TO WORKSURFACE



Attach the end base to the worksurface with 1/4-20 x 1/2" cap screw. The mid base and Outrigger attach to the worksurface using 1/4-20 x 7/8" Chicago bolts.

SPLINE



Use splines and tight joints at all seams.