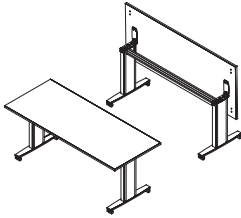


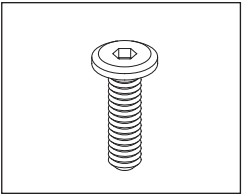
Vox®

Tel 800 668 9318
Tel 416 298 5700
Fax 416 298 9535
mail@nienkamper.com
www.nienkamper.com

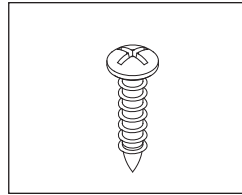


FLIPTOP™ TABLE INSTALLATION GUIDE

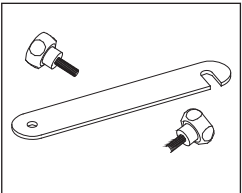
HARDWARE PARTS LIST



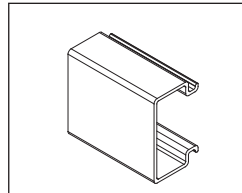
FLAT HEAD HEX SOCKET BOLT
1/4-20 x 1"
Joins base assembly to top
For use with all flip top tables



PHILLIPS PANHEAD WOOD SCREW
#6 x 3/8"
Used to attach modesty panel and
modesty panel stop brackets to table top
For use with flip top tables with
modesty panels

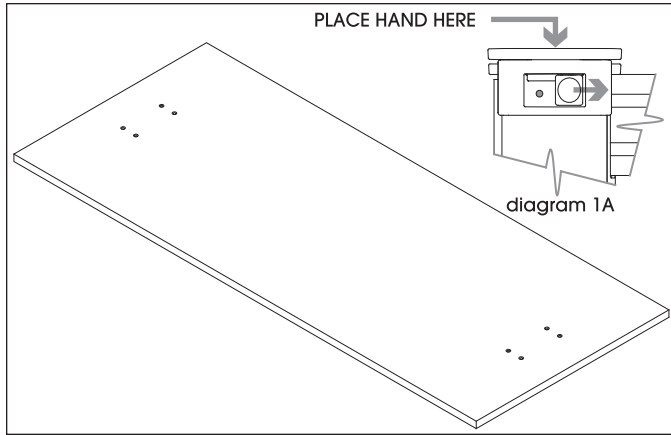


THUMBSCREWS AND GANGING CLIP
Joins multiple tables together
For use with all flip top tables



WIRE MANAGEMENT "U" CLIPS
Grey ABS plastic
Used to secure wires to support rail
For use with flip top tables with forums

UNLOCK HINGE

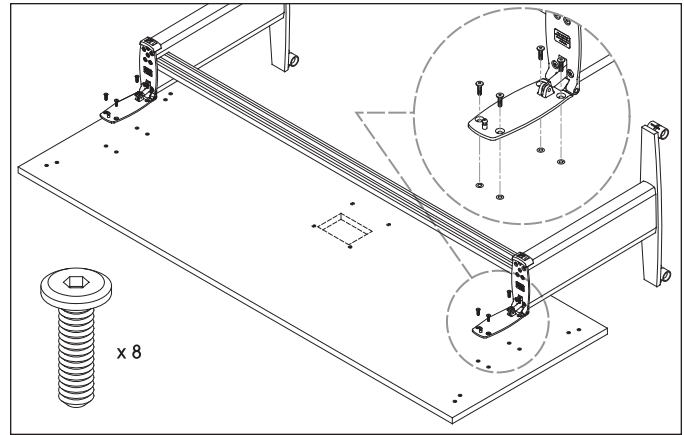


1

- Remove the cardboard packaging from the base assembly.
- On a protected surface, place the top upside down (threaded inserts facing up).
- Open both hinges on the base assembly by placing one hand on top of hinge and sliding swivel latch to the right hand side (dia. 1A). **WARNING: WHEN CLOSED, HINGE IS UNDER LOAD AND WILL SPRING OPEN, KEEP HAND ON TOP OF HINGE TO AVOID INJURY.**

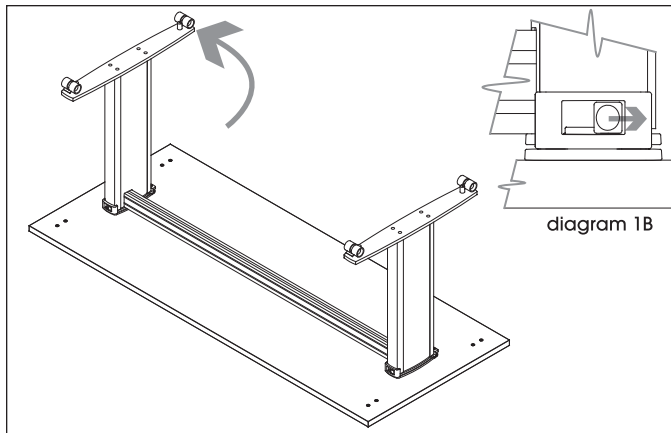
ATTACH BASE TO TOP

2



- Set the base assembly on its side lining up the through holes in the hinge with the threaded inserts in the top.
- Using 8 1/4"-20 joiner bolts included in hardware package, join the top to the base. *Start all of the bolts before completely tightening.
- If there is a hole in the top for a forum, position it towards the base.

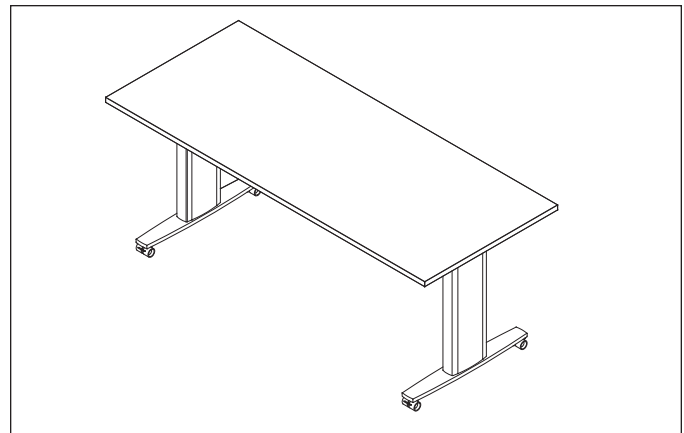
LOCK HINGE



3

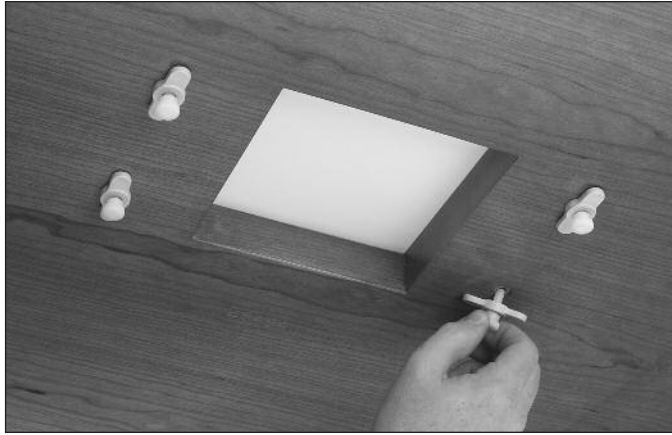
- Fold base assembly into its closed position and lock the swivel catches (slide to left hand side covering the orange dot- dia. 1B).

4



- Rotate table into normal position.

INSTALL THUMB SCREWS

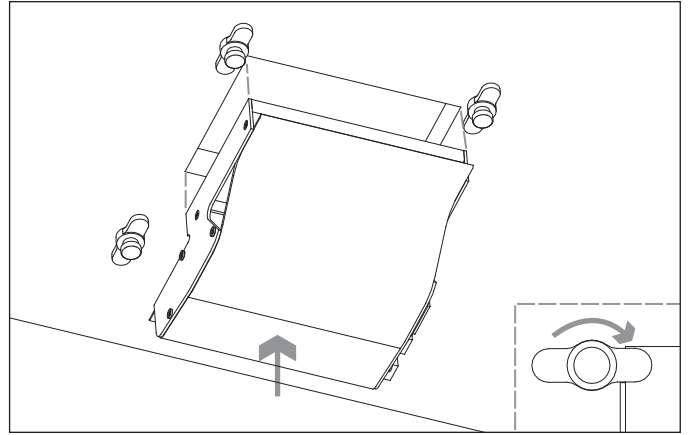


- Thread the 4 plastic thumb screw and clip assemblies into the threaded inserts around the square cut out.

INSTALL VOX® FORUM®

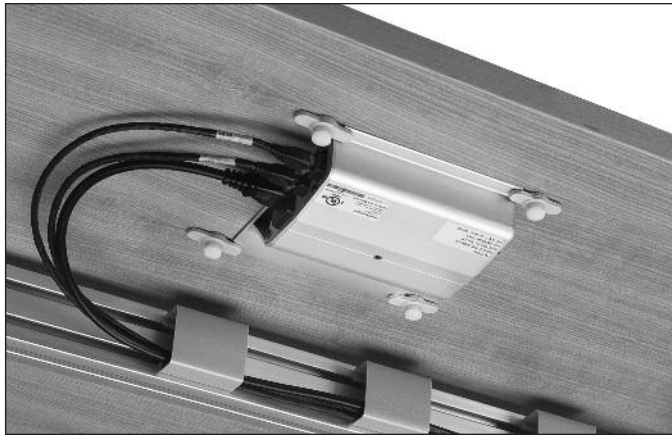
5

6



- Insert the power / data component into the hole, rotate the plastic clips into place and tighten.

CONNECT CABLES



- Insert the supplied cables into the side of the power / data component and secure to the rail assembly using grey plastic wire management "U" clips supplied.

WIRE MANAGEMENT

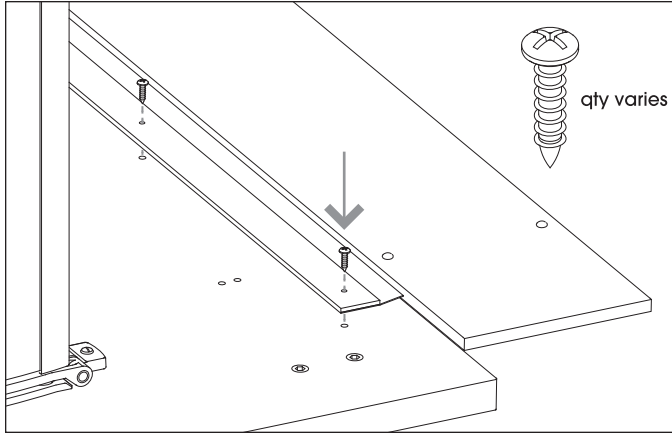
7

8



- Once in an upright position the wires can continue down either leg to be secured by the wire manager at the base of the foot. Simply pull out from the underside of base to expose.

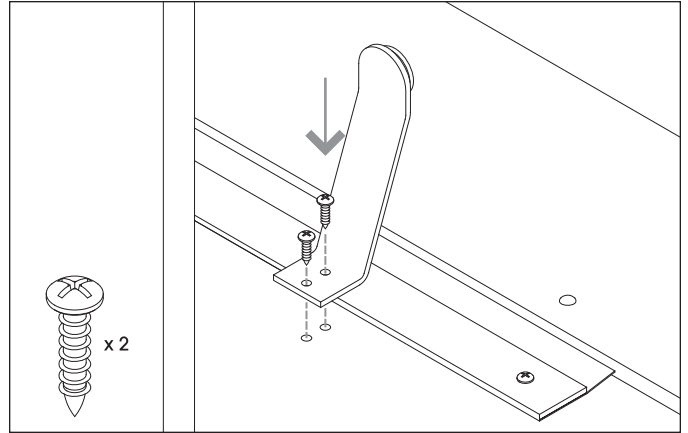
ATTACH MODESTY PANEL



9

- Place the modesty panel onto the underside of top lining up the holes in aluminum mounting strip with pilot holes in the top.
- Secure the modesty panel using #6 x 5/8" wood screws supplied.

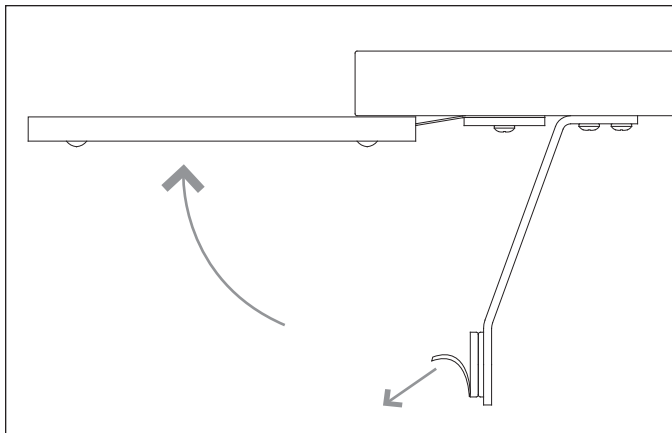
ATTACH STOP BRACKET



10

- To prevent the modesty panel from swaying, mount the 2 aluminum modesty panel stop brackets by lining up holes with pilot holes on the underside of top.
- Secure with 2- #6 x 5/8" wood screws supplied (x 2 locations).
- Rotate the table into it's upright position.

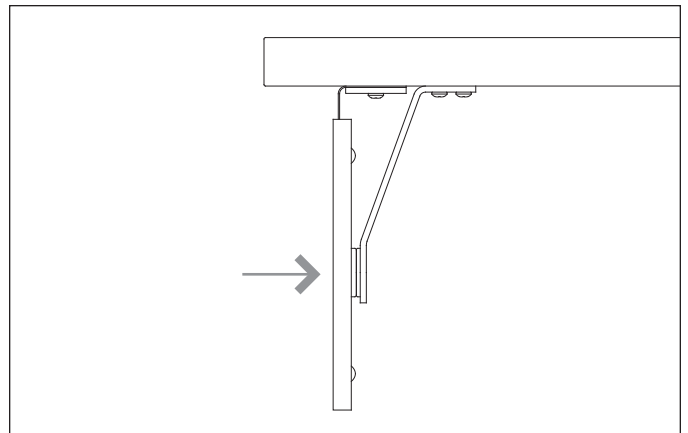
INSTALL VELCRO TAB



11

- Once the table is in its correct position, tilt the modesty away from the brackets and remove the protective film from the adhesive on the Velcro tab.

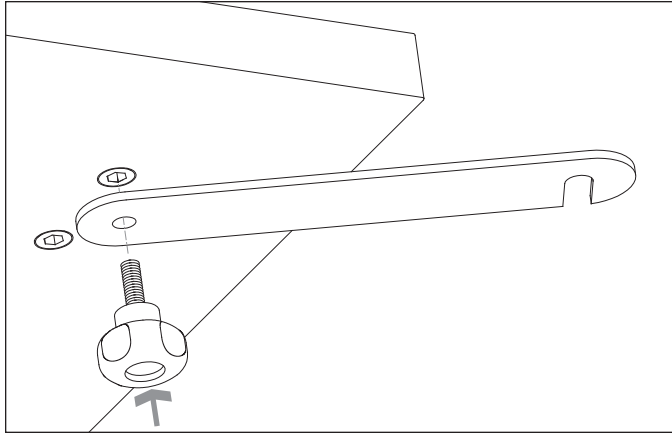
ASSEMBLY COMPLETE



12

- Firmly press modesty panel against brackets to adhere Velcro to modesty panel. As the top swivels up or down the modesty panel will be released or caught by the Velcro tabs.
- Modesty panel installation complete.

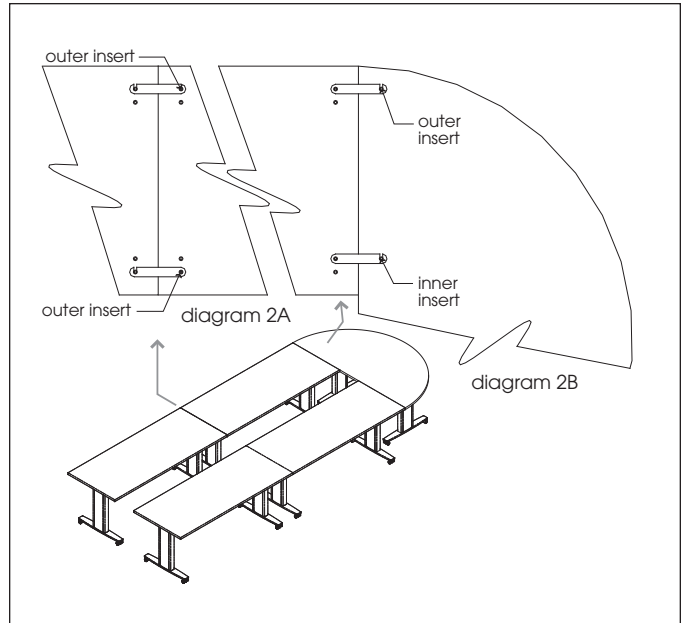
INSTALL GANGING CLIP



- Remove the ganging clips and thumb screws from the hardware pack.
- Insert the thumb screw through the hole in the metal clip and into the appropriate threaded insert on the underside of the top as illustrated in steps 2 and 3.

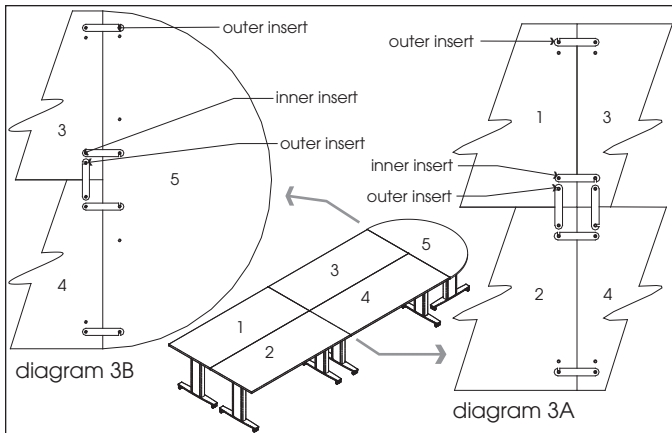
GANGING CLIP POSITIONS

13 14



- To gang tables end to end, both clips are mounted in inserts closest to the outer table edge as shown in dia. 2A.
- To gang an end run half round table, clip closest to outer edge of table is mounted in outer insert as shown in dia. 2B.
- Clip located towards centre of table is mounted to inner insert as shown in dia. 2B.

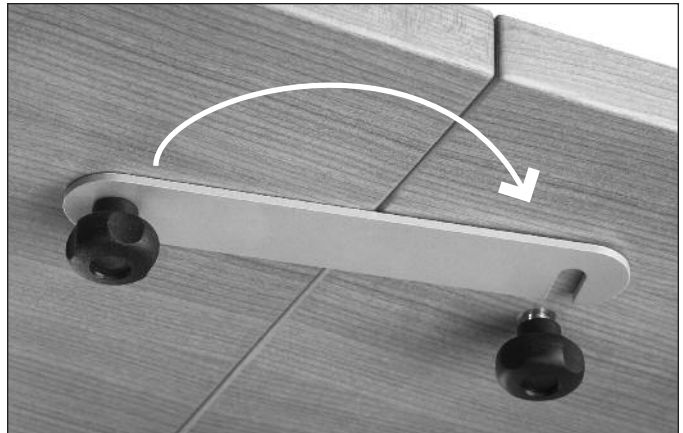
GANGING CLIP POSITIONS



15 16

- To gang tables end to end and side to side requires table 1 to mount to table 3 using clips located in outer insert and inner insert (same for tables 2 to 4).
- This locks tables end to end.
- Additional clips positioned in outer inserts lock tables together side to side (tables 1/3 to 2/4) as shown in dia. 3A.
- An end run half round table (5) will require clips positioned in outer insert closest to the edge and inner insert towards the centre as shown in dia. 3B.

LOCKING GANGING CLIP



- Push tables together, swivel ganging clip into place and tighten to secure.

