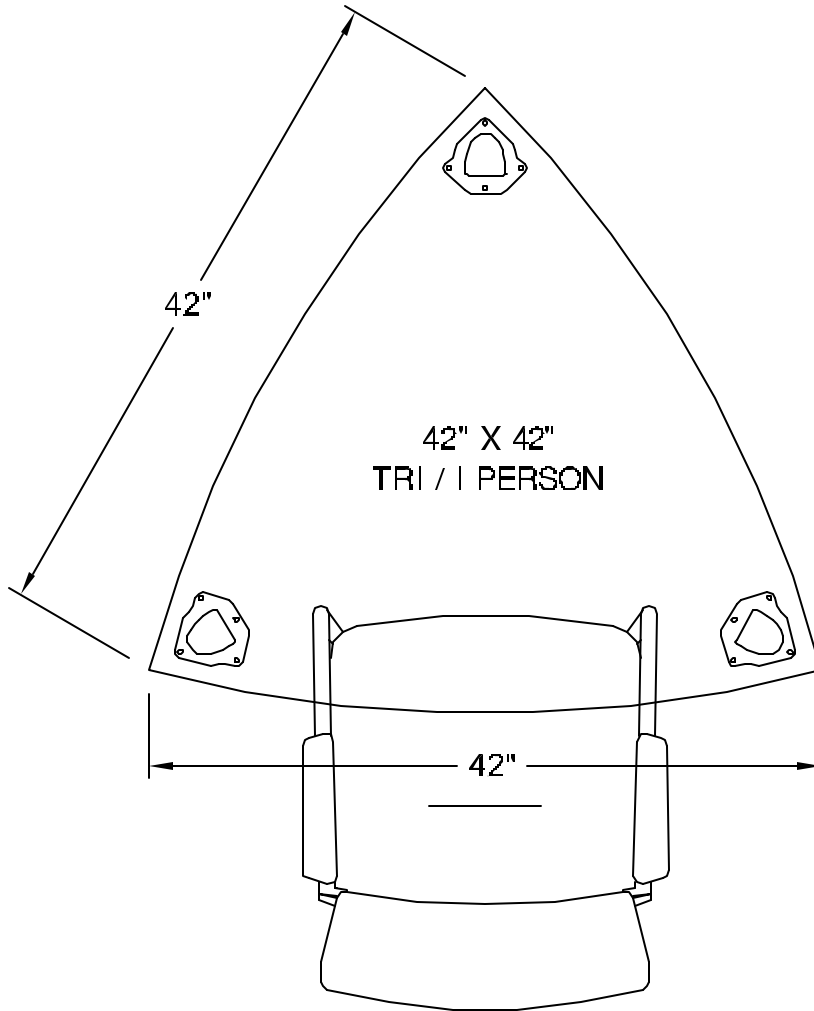


ICFgroup

nienkämper

257 Finchdene Square
Scarborough, Ontario,
Canada M1X 1B9

Tel 416-298-5700 / Fax 416-298-4426
EMAIL : customerservice@nienkamper.com



SIZE	42" X 42" TRI	LEG STYLE / MODESTY	MODEL
SEATING	1	GLIDES / NO MODESTY	- 24921
		GLIDES / PARTIAL MODESTY	- NA
		CASTERS / NO MODESTY	- 24916
		CASTERS / PARTIAL MODESTY	- NA

THIS DRAWING IS CONFIDENTIAL AND PROPRIETARY.
NO PART OF THIS DRAWING MAY BE COPIED, DISCLOSED TO ANY
THIRD PARTY OR USED FOR ANY PURPOSE WITHOUT THE EXPRESS WRITTEN
AUTHORIZATION OF NIENKAMPER FURNITURE & ACCESSORIES