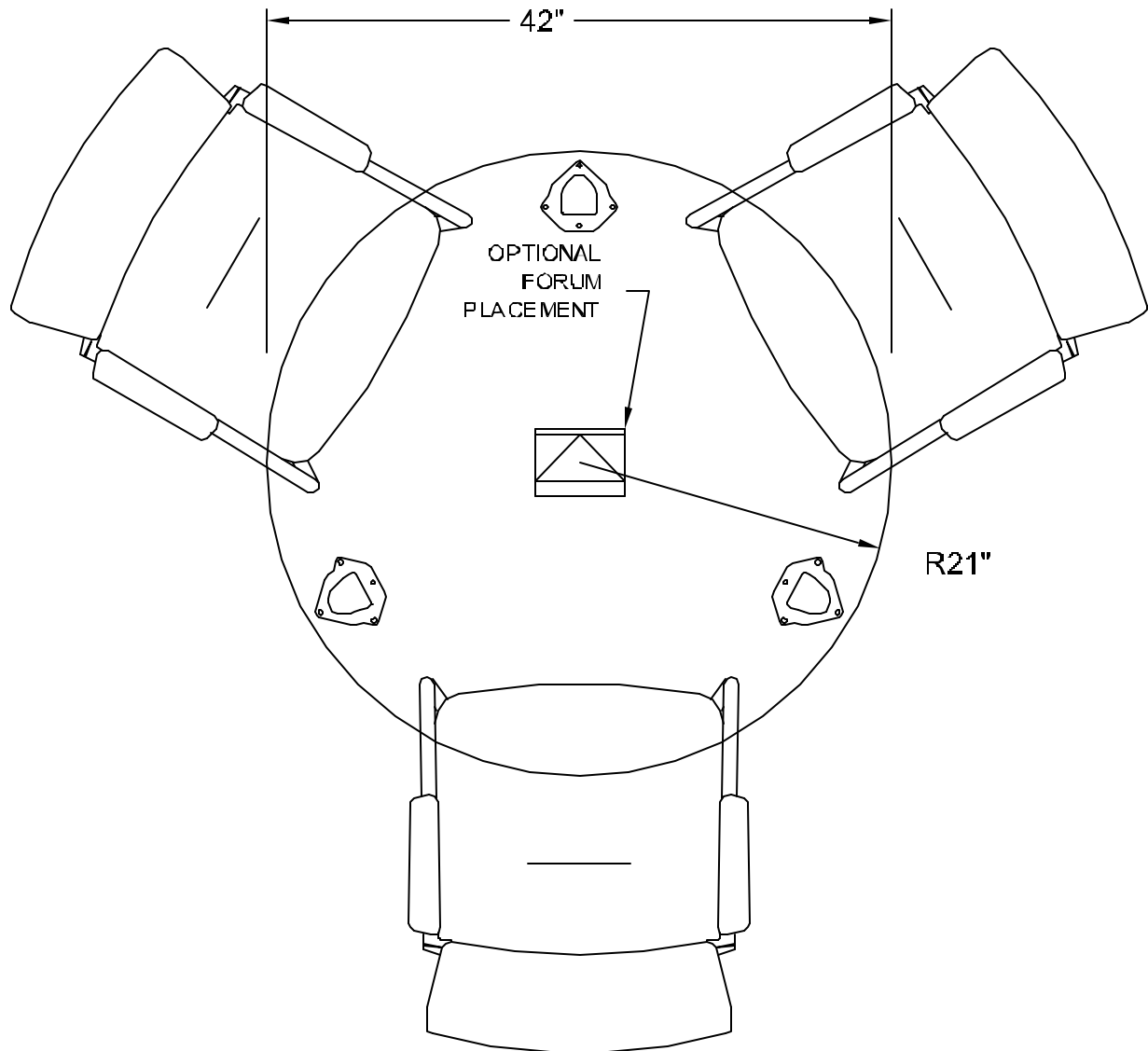


ICFgroup

nienkämper

257 Finchdene Square
Scarborough, Ontario,
Canada M1X 1B9

Tel 416-298-5700 / Fax 416-298-4...
EMAIL : customerservice@nienkamper.com



SIZE 42" dia
SEATING 3

LEG STYLE / MODESTY MODEL

GLIDES / NO MODESTY - 24901

GLIDES / PARTIAL MODESTY - NA

CASTERS / NO MODESTY - 24905

CASTERS / PARTIAL MODESTY - NA