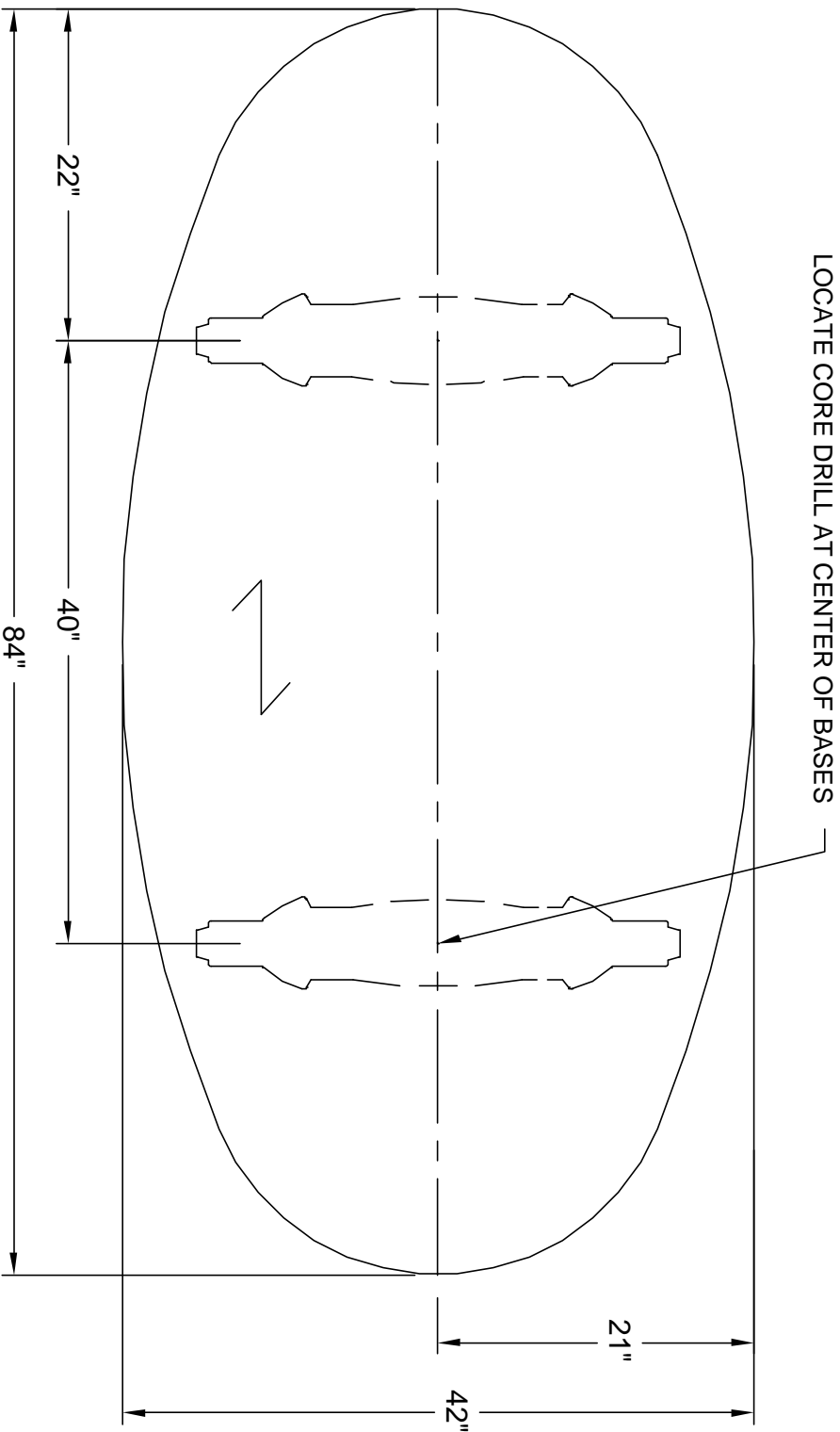




# nienkämper

257 Finchdene Square  
Scarborough, Ontario,  
Canada M1X 1B9  
Tel 416-298-5700 / Fax 416-298-4426  
EMAIL : [customerservice@nienkamper.com](mailto:customerservice@nienkamper.com)

## PLAN VIEW



THIS DRAWING IS CONFIDENTIAL AND PROPRIETARY. NO PART OF THIS DRAWING MAY BE COPIED, DISCLOSED OR SENT TO ANY THIRD PARTY OR USED FOR ANY PURPOSE WITHOUT THE EXPRESS WRITTEN AUTHORIZATION OF NIENKAMPER FURNITURE AND ACCESSORIES.