

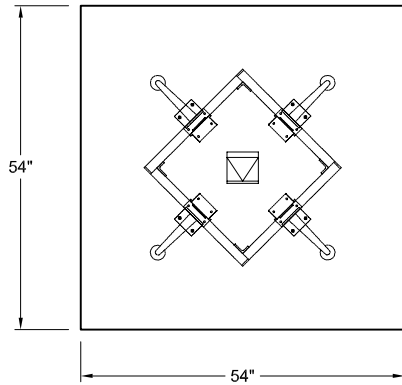
ICFgroup
nienkämper

257 Finchdene Square
 Scarborough, Ontario,
 Canada M1X 1B9
 Tel 416-298-5700 / Fax 416-298-4426
 EMAIL : customerservice@nienkamper.com

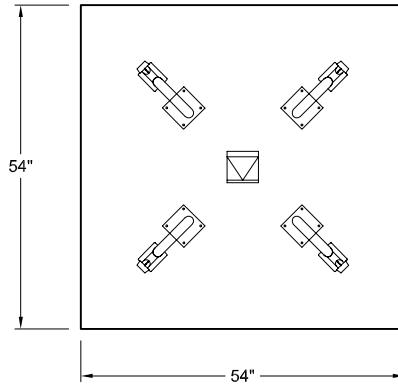
LEG STYLE	MODEL
QUAD BASE	- -
TAPER - POLISHED	- 52203
TAPER - PAINTED	- 54603
CASTER BASE	- -

LEG STYLE	MODEL
QUAD BASE	- -
TAPER - POLISHED	- -
TAPER - PAINTED	- -
CASTER BASE	- 52303

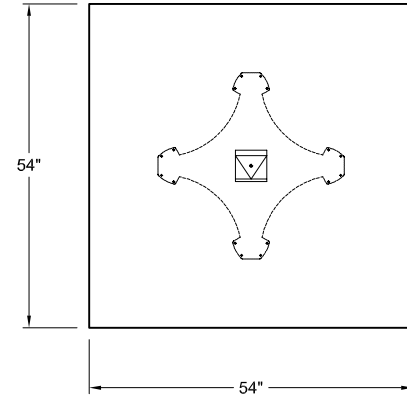
LEG STYLE	MODEL
QUAD BASE	- 22818
TAPER - POLISHED	- -
TAPER - PAINTED	- -
CASTER BASE	- -



PLAN VIEW-TAPER BASE



PLAN VIEW-CASTER BASE



PLAN VIEW-QUAD BASE

THIS DRAWING IS CONFIDENTIAL AND PROPRIETARY. NO PART OF THIS DRAWING MAY BE COPIED, DISCLOSED OR SENT TO ANY THIRD PARTY OR USED FOR ANY PURPOSE WITHOUT THE EXPRESS WRITTEN AUTHORIZATION OF NIENKAMPER FURNITURE AND ACCESSORIES.