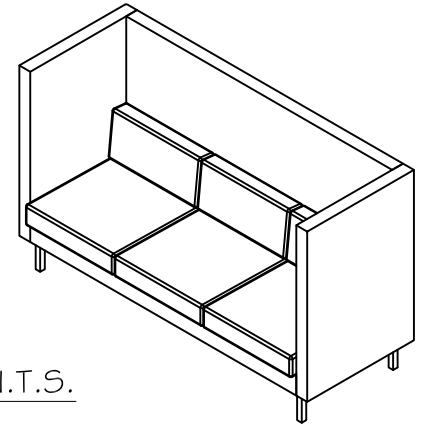
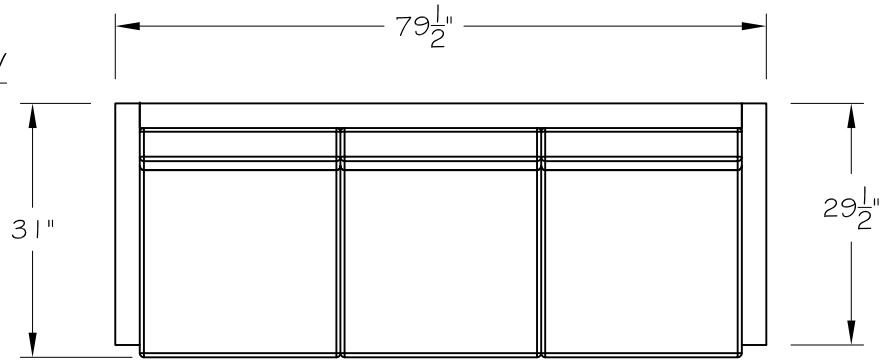


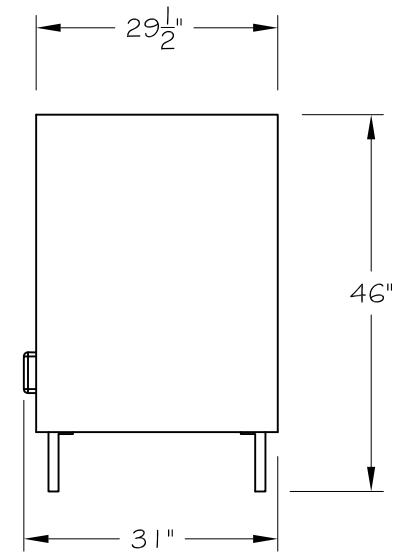
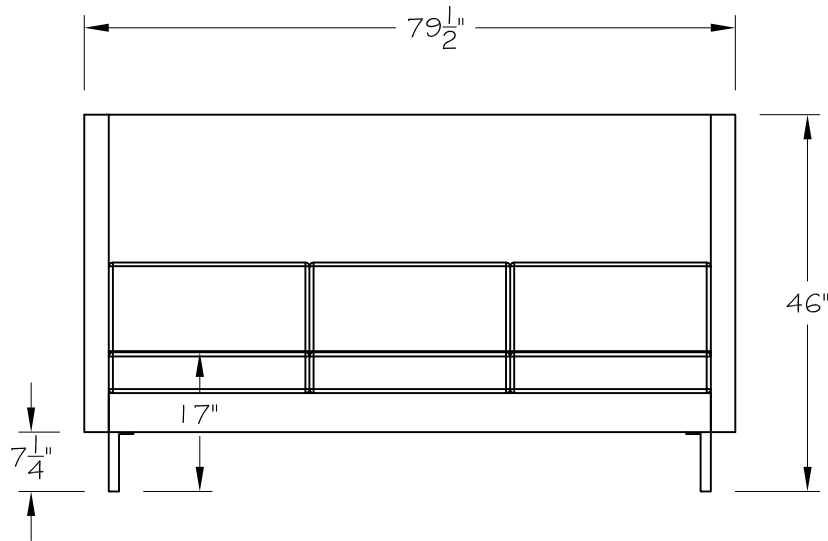
# nienkämper

PLAN VIEW



ISO -N.T.S.

FRONT ELEV.



END ELEV.

REVISION		
----------	--	--

OC / QUOTE : `TUXEDO 3 SEAT	Client:	Drawing No. :	Drawn By :	Date :	
THIS DRAWING IS CONFIDENTIAL AND PROPRIETARY. NO PART OF THIS DRAWING MAY BE COPIED, DISCLOSED TO ANY THIRD PARTY OR USED FOR ANY PURPOSE WITHOUT THE EXPRESS WRITTEN AUTHORIZATION OF NIENKAMPER FURNITURE & ACCESSORIES		257 Finchdene Square Scarborough, Ontario, Canada MIX 1B9	EMAIL- mail@nienkamper.com www.nienkamper.com	Tel 1-800-668-9318 Fax 1-416-298-9535	Scale :