

PIVOT™



nienkämper

Tubular steel legs finished in brilliant mirror eco-chrome, steel hinge mechanisms and cross beams provide the Pivot™ with its rigid skeleton, ready for the nomadic world of training tables. The Pivot™ isn't all brawn, its rigidity is balanced with warm, rich veneers typical to the Nienkämper family of products. Or if the rugged nature is to show through and through, a wide variety of plastic laminates with impact resistant plastic edges are also available.

Standard features include: chrome legs, locking casters, 1" thick rectangular top, choice of veneer and solid wood edge or plastic laminate and plastic edge, a 5.25" tall fixed modesty panel completes the package. Options include: your choice of power/ data/ connectivity units, 1.25" thick tops and flush or inset leg placement.



BASE CONSTRUCTION

Constructed from 1 3/8" dia. steel tube and is available in "eco-metal" chrome plating*, powder coated silver or black. Table tops pivot on two robust steel hinges and are supported with steel cross beams. Table tops are locked in position while down with stainless steel slam catches. To unlock and flip table into the storage / moving position simply pull out the two ergonomic plastic handles and pivot downward. The table rolls on 4 swiveling / locking 3" dia. casters. Base, hinge, cross beam, release handles and casters are all integrated within the base structure.

*Eco-metal chrome plating is a new galvanic process which is completely free of chlorides and is 100% recyclable.

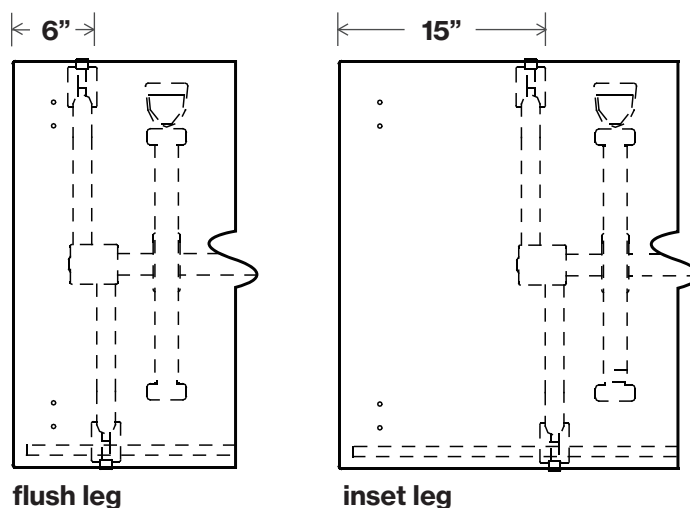


BASE POSITION

Bases are offered in two positions, flush and inset.

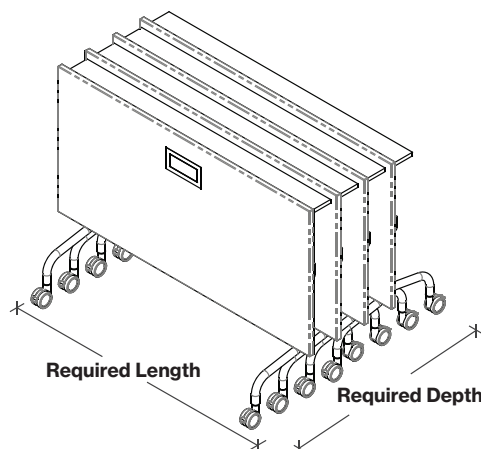
Flush leg position allows the user maximum knee space when tables are ganged together.

Inset leg position allow the maximum seating capacity when tables are ganged together by enabling seating on table seams.



STORAGE REQUIREMENTS

Table Length	2 Tables	4 Tables	6 Tables	8 Tables	10 Tables	12 Tables
floor space required when nested for table depths of 24" and 30" (L" x D")						
60"	60 x 36.75	60 x 49.75	60 x 62.75	60 x 75.75	60 x 88.75	60 x 101.75
66"	66 x 36.75	66 x 49.75	66 x 62.75	66 x 75.75	66 x 88.75	66 x 101.75
72"	72 x 36.75	72 x 49.75	72 x 62.75	72 x 75.75	72 x 88.75	72 x 101.75
78"	78 x 36.75	78 x 49.75	78 x 62.75	78 x 75.75	78 x 88.75	78 x 101.75
84"	84 x 36.75	84 x 49.75	84 x 62.75	84 x 75.75	84 x 88.75	84 x 101.75
90"	90 x 36.75	90 x 49.75	90 x 62.75	90 x 75.75	90 x 88.75	90 x 101.75

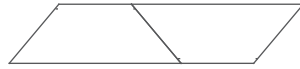


CONFIGURATION



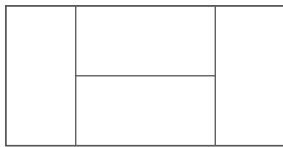
2 rectangle tables

Model # Dimensions
82002/2 72"w x 24"d



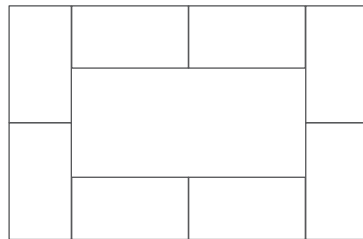
2 trapezoid tables

Model # Dimensions
82100/2 84"w x 24"d



4 rectangle tables

Model # Dimensions
82006/2 60"w x 30"d



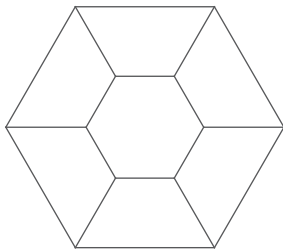
8 rectangle tables

Model # Dimensions
82012/2 60"w x 24"d



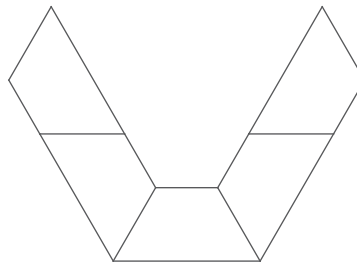
4 rectangle tables & 2 half round tables

Model # Dimensions
82012/2 60"w x 24"d
82144/2 48"w x 24"d



6 trapezoid tables

Model # Dimensions
82104/2 72"w x 30"d



5 trapezoid tables

Model # Dimensions
82105/2 78"w x 30"d

CONNECTIVITY MANAGEMENT

Pivot™ FlipTop can be specified with a range of connectivity devices to suit most technology and price point requirements.

For connectivity device details and pricing visit www.nienkamper.com or contact customer service at 1.800.668.9318.



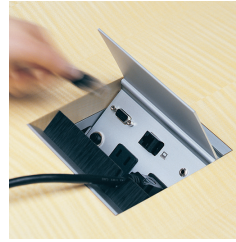
SIMPLE
Pop Up Forum



SIMPLE Forum



Vox® Training Forum



Vox® S-Forum



Vox® M-Forum

WIRE MANAGEMENT

Tables that include connectivity devices are equipped with cable clips that are fixed to both the underside of the top and the base. Cables may be routed to either base according to user needs.



MODESTY PANEL DETAILS



Veneer top with wood self edge and matching 5.25"H fixed modesty panel.



Wood grain P-Lam top with translucent self edge and matching 5.25"H fixed modesty panel.



White P-Lam top with white PVC self edge and matching fixed modesty panel.

PIVOT TABLE - NO MODESTY PANEL

Rectangle



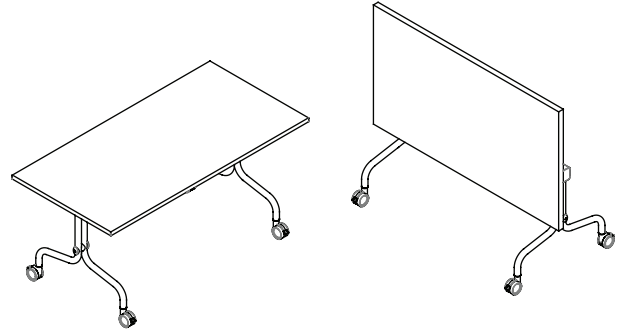
Tables shown this page are standard with tubular steel legs, locking casters, and 1" thick top.

Wood tables have 1/8" solid wood self edge.

P-Lam tables have 1/8" translucent edge.



Self Edge "SE"



1" TOP

L"	x	W"	x	H"	Top Finish	FLUSH BASES		INSET BASES	
						Model No.	List Price	Model No.	List Price
60		24		28.5	Wood	82000/2	1,960	82012/2	1,960
60		24		28.5	P-Lam	82000/5	1,570	82012/5	1,570
66		24		28.5	Wood	82001/2	2,060	82013/2	2,060
66		24		28.5	P-Lam	82001/5	1,635	82013/5	1,635
72		24		28.5	Wood	82002/2	2,180	82014/2	2,180
72		24		28.5	P-Lam	82002/5	1,695	82014/5	1,695
78		24		28.5	Wood	82003/2	2,295	82015/2	2,295
78		24		28.5	P-Lam	82003/5	1,770	82015/5	1,770
84		24		28.5	Wood	82004/2	2,400	82016/2	2,400
84		24		28.5	P-Lam	82004/5	1,840	82016/5	1,840
90		24		28.5	Wood	82005/2	2,520	82017/2	2,520
90		24		28.5	P-Lam	82005/5	1,905	82017/5	1,905
60		30		28.5	Wood	82006/2	2,215	82018/2	2,215
60		30		28.5	P-Lam	82006/5	1,715	82018/5	1,715
66		30		28.5	Wood	82007/2	2,355	82019/2	2,355
66		30		28.5	P-Lam	82007/5	1,795	82019/5	1,795
72		30		28.5	Wood	82008/2	2,500	82020/2	2,500
72		30		28.5	P-Lam	82008/5	1,875	82020/5	1,875
78		30		28.5	Wood	82009/2	2,630	82021/2	2,630
78		30		28.5	P-Lam	82009/5	1,960	82021/5	1,960
84		30		28.5	Wood	82010/2	2,770	82022/2	2,770
84		30		28.5	P-Lam	82010/5	2,040	82022/5	2,040
90		30		28.5	Wood	82011/2	2,900	82023/2	2,900
90		30		28.5	P-Lam	82011/5	2,080	82023/5	2,080

PIVOT TABLE - NO MODESTY PANEL

Rectangle



Tables shown this page are standard with tubular steel legs, locking casters, and 1¼" thick top.

Specify edge type; add the two letter code after the model number.



Taper Edge (TE)



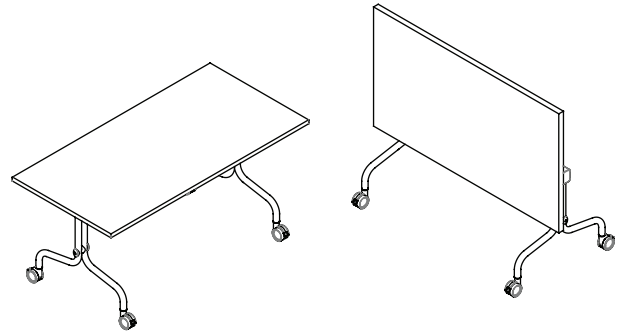
Self Edge (SE)



Facet Edge (FE)



Flowform Edge (FF)
5% upcharge
laminates not available



1¼" Top

				FLUSH BASES		INSET BASES			
L"	x	W"	x	H"	Top Finish	Model No.	List Price	Model No.	List Price
60		24		29	Wood	82024/2	1,960	82036/2	1,960
60		24		29	P-Lam	82024/5	1,570	82036/5	1,570
66		24		29	Wood	82025/2	2,060	82037/2	2,060
66		24		29	P-Lam	82025/5	1,635	82037/5	1,635
72		24		29	Wood	82026/2	2,180	82038/2	2,180
72		24		29	P-Lam	82026/5	1,695	82038/5	1,695
78		24		29	Wood	82027/2	2,295	82039/2	2,295
78		24		29	P-Lam	82027/5	1,770	82039/5	1,770
84		24		29	Wood	82028/2	2,400	82040/2	2,400
84		24		29	P-Lam	82028/5	1,840	82040/5	1,840
90		24		29	Wood	82029/2	2,520	82041/2	2,520
90		24		29	P-Lam	82029/5	1,905	82041/5	1,905
60		30		29	Wood	82030/2	2,215	82042/2	2,215
60		30		29	P-Lam	82030/5	1,715	82042/5	1,715
66		30		29	Wood	82031/2	2,355	82043/2	2,355
66		30		29	P-Lam	82031/5	1,795	82043/5	1,795
72		30		29	Wood	82032/2	2,500	82044/2	2,500
72		30		29	P-Lam	82032/5	1,875	82044/5	1,875
78		30		29	Wood	82033/2	2,630	82045/2	2,630
78		30		29	P-Lam	82033/5	1,960	82045/5	1,960
84		30		29	Wood	82034/2	2,770	82046/2	2,770
84		30		29	P-Lam	82034/5	2,040	82046/5	2,040
90		30		29	Wood	82035/2	2,900	82047/2	2,900
90		30		29	P-Lam	82035/5	2,080	82047/5	2,080

PIVOT TABLE - WITH MODESTY PANEL

Rectangle

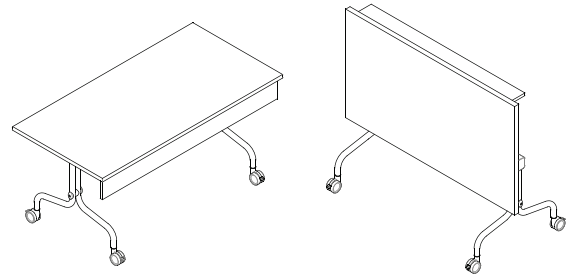


Tables shown this page are standard with tubular steel legs, locking casters, 5.25" tall fixed modesty panel in matching finish and 1" thick top.

Wood tables have 1/8" solid wood self edge.
P-Lam tables have 1/8" translucent edge.



Self Edge "SE"



1" TOP

					FLUSH BASES		INSET BASES		
L"	x	W"	x	H"	Top Finish	Model No.	List Price	Model No.	List Price
60	24	28.5	Wood	82048/2	2,300	82060/2	2,300		
60	24	28.5	P-Lam	82048/5	1,820	82060/5	1,820		
66	24	28.5	Wood	82049/2	2,440	82061/2	2,440		
66	24	28.5	P-Lam	82049/5	1,915	82061/5	1,915		
72	24	28.5	Wood	82050/2	2,585	82062/2	2,585		
72	24	28.5	P-Lam	82050/5	2,015	82062/5	2,015		
78	24	28.5	Wood	82051/2	2,730	82063/2	2,730		
78	24	28.5	P-Lam	82051/5	2,110	82063/5	2,110		
84	24	28.5	Wood	82052/2	2,875	82064/2	2,875		
84	24	28.5	P-Lam	82052/5	2,200	82064/5	2,200		
90	24	28.5	Wood	82053/2	3,025	82065/2	3,025		
90	24	28.5	P-Lam	82053/5	2,300	82065/5	2,300		
60	30	28.5	Wood	82054/2	2,560	82066/2	2,560		
60	30	28.5	P-Lam	82054/5	1,970	82066/5	1,970		
66	30	28.5	Wood	82055/2	2,725	82067/2	2,725		
66	30	28.5	P-Lam	82055/5	2,080	82067/5	2,080		
72	30	28.5	Wood	82056/2	2,895	82068/2	2,895		
72	30	28.5	P-Lam	82056/5	2,180	82068/5	2,180		
78	30	28.5	Wood	82057/2	3,060	82069/2	3,060		
78	30	28.5	P-Lam	82057/5	2,300	82069/5	2,300		
84	30	28.5	Wood	82058/2	3,235	82070/2	3,235		
84	30	28.5	P-Lam	82058/5	2,415	82070/5	2,415		
90	30	28.5	Wood	82059/2	3,410	82071/2	3,410		
90	30	28.5	P-Lam	82059/5	2,470	82071/5	2,470		

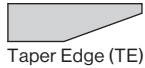
PIVOT TABLE - WITH MODESTY PANEL

Rectangle



Tables shown this page are standard with tubular steel legs, locking casters, 5.25" tall fixed modesty panel in matching finish and 1¼" thick top.

Specify edge type; add the two letter code after the model number.



Taper Edge (TE)



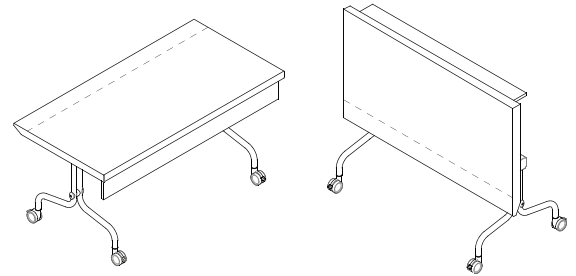
Self Edge (SE)



Facet Edge (FE)



Flowform Edge (FF)
5% upcharge
laminates not available

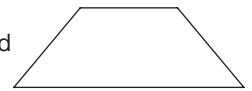


1¼" TOP

L"	x	W"	x	H"	Top Finish	FLUSH BASES		INSET BASES	
						Model No.	List Price	Model No.	List Price
60	24	29	Wood	82072/2	2,300	82084/2	2,300		
60	24	29	P-Lam	82072/5	1,820	82084/5	1,820		
66	24	29	Wood	82073/2	2,440	82085/2	2,440		
66	24	29	P-Lam	82073/5	1,915	82085/5	1,915		
72	24	29	Wood	82074/2	2,585	82086/2	2,585		
72	24	29	P-Lam	82074/5	2,015	82086/5	2,015		
78	24	29	Wood	82075/2	2,730	82087/2	2,730		
78	24	29	P-Lam	82075/5	2,110	82087/5	2,110		
84	24	29	Wood	82076/2	2,875	82088/2	2,875		
84	24	29	P-Lam	82076/5	2,200	82088/5	2,200		
90	24	29	Wood	82077/2	3,025	82089/2	3,025		
90	24	29	P-Lam	82077/5	2,300	82089/5	2,300		
60	30	29	Wood	82078/2	2,560	82090/2	2,560		
60	30	29	P-Lam	82078/5	1,970	82090/5	1,970		
66	30	29	Wood	82079/2	2,725	82091/2	2,725		
66	30	29	P-Lam	82079/5	2,080	82091/5	2,080		
72	30	29	Wood	82080/2	2,895	82092/2	2,895		
72	30	29	P-Lam	82080/5	2,180	82092/5	2,180		
78	30	29	Wood	82081/2	3,060	82093/2	3,060		
78	30	29	P-Lam	82081/5	2,300	82093/5	2,300		
84	30	29	Wood	82082/2	3,235	82094/2	3,235		
84	30	29	P-Lam	82082/5	2,415	82094/5	2,415		
90	30	29	Wood	82083/2	3,410	82095/2	3,410		
90	30	29	P-Lam	82083/5	2,470	82095/5	2,470		

PIVOT TABLE - NO MODESTY PANEL

Trapezoid



Tables shown this page are standard with tubular steel legs, locking casters.
Top is 1" thick for self edge and 1¼" thick for profile edges.

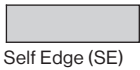
Wood tables have 1/8" solid wood self edge.

P-Lam tables have 1/8" translucent self plastic edge.

Specify edge type; add the two letter code after the model number.



Taper Edge (TE)



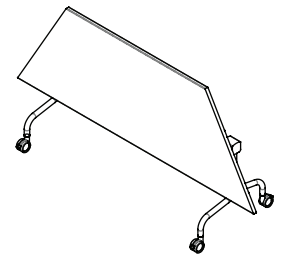
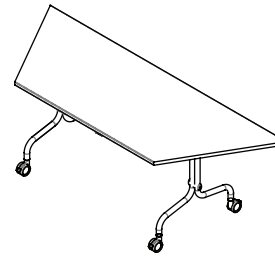
Self Edge (SE)



Facet Edge (FE)



Flowform Edge (FF)
5% upcharge
laminates not available



1" TOP (SELF EDGE)

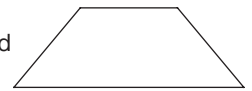
L" x W" x H"	Top Finish	Model No.	List Price
60 x 24 x 28.5	Wood	82096/2	2,155
60 x 24 x 28.5	P-Lam	82096/5	1,730
66 x 24 x 28.5	Wood	82097/2	2,280
66 x 24 x 28.5	P-Lam	82097/5	1,795
72 x 24 x 28.5	Wood	82098/2	2,400
72 x 24 x 28.5	P-Lam	82098/5	1,870
78 x 24 x 28.5	Wood	82099/2	2,530
78 x 24 x 28.5	P-Lam	82099/5	1,955
84 x 24 x 28.5	Wood	82100/2	2,645
84 x 24 x 28.5	P-Lam	82100/5	2,025
90 x 24 x 28.5	Wood	82101/2	2,775
90 x 24 x 28.5	P-Lam	82101/5	2,100
60 x 30 x 28.5	Wood	82102/2	2,435
60 x 30 x 28.5	P-Lam	82102/5	1,895
66 x 30 x 28.5	Wood	82103/2	2,590
66 x 30 x 28.5	P-Lam	82103/5	1,980
72 x 30 x 28.5	Wood	82104/2	2,755
72 x 30 x 28.5	P-Lam	82104/5	2,055
78 x 30 x 28.5	Wood	82105/2	2,895
78 x 30 x 28.5	P-Lam	82105/5	2,155
84 x 30 x 28.5	Wood	82106/2	3,045
84 x 30 x 28.5	P-Lam	82106/5	2,250
90 x 30 x 28.5	Wood	82107/2	3,185
90 x 30 x 28.5	P-Lam	82107/5	2,285

1¼" TOP (TAPER, FACET, FLOW FORM EDGE)

L" x W" x H"	Top Finish	Model No.	List Price
60 x 24 x 29	Wood	82120/2	2,155
60 x 24 x 29	P-Lam	82120/5	1,730
66 x 24 x 29	Wood	82121/2	2,280
66 x 24 x 29	P-Lam	82121/5	1,795
72 x 24 x 29	Wood	82122/2	2,400
72 x 24 x 29	P-Lam	82122/5	1,870
78 x 24 x 29	Wood	82123/2	2,530
78 x 24 x 29	P-Lam	82123/5	1,955
84 x 24 x 29	Wood	82124/2	2,645
84 x 24 x 29	P-Lam	82124/5	2,025
90 x 24 x 29	Wood	82125/2	2,775
90 x 24 x 29	P-Lam	82125/5	2,100
60 x 30 x 29	Wood	82126/2	2,435
60 x 30 x 29	P-Lam	82126/5	1,895
66 x 30 x 29	Wood	82127/2	2,590
66 x 30 x 29	P-Lam	82127/5	1,980
72 x 30 x 29	Wood	82128/2	2,755
72 x 30 x 29	P-Lam	82128/5	2,055
78 x 30 x 29	Wood	82129/2	2,895
78 x 30 x 29	P-Lam	82129/5	2,155
84 x 30 x 29	Wood	82130/2	3,045
84 x 30 x 29	P-Lam	82130/5	2,250
90 x 30 x 29	Wood	82131/2	3,185
90 x 30 x 29	P-Lam	82131/5	2,285

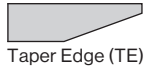
PIVOT TABLE - WITH MODESTY PANEL

Trapezoid



Tables shown this page are standard with tubular steel legs, locking casters, 5.25" tall fixed modesty panel in matching finish. Top is 1" thick for self edge and 1¼" thick for profile edges.

Wood tables have 1/8" solid wood self edge. P-Lam tables have 1/8" translucent edge. Specify edge type; add the two letter code after the model number.



Taper Edge (TE)



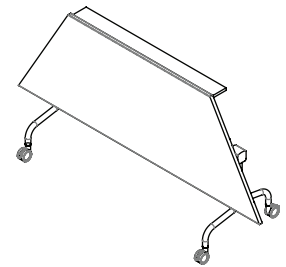
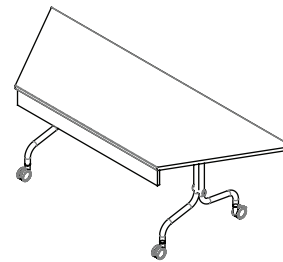
Self Edge (SE)



Facet Edge (FE)



Flowform Edge (FF)
5% upcharge
laminates not available



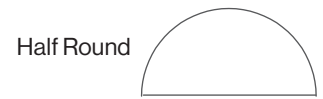
1" TOP (SELF EDGE)

L"	x	W"	x	H"	Top Finish	Model No.	List Price
60	24	28.5	Wood	82108/2	2,535		
60	24	28.5	P-Lam	82108/5	2,000		
66	24	28.5	Wood	82109/2	2,690		
66	24	28.5	P-Lam	82109/5	2,110		
72	24	28.5	Wood	82110/2	2,845		
72	24	28.5	P-Lam	82110/5	2,210		
78	24	28.5	Wood	82111/2	3,005		
78	24	28.5	P-Lam	82111/5	2,320		
84	24	28.5	Wood	82112/2	3,165		
84	24	28.5	P-Lam	82112/5	2,425		
90	24	28.5	Wood	82113/2	3,325		
90	24	28.5	P-Lam	82113/5	2,535		
60	30	28.5	Wood	82114/2	2,815		
60	30	28.5	P-Lam	82114/5	2,165		
66	30	28.5	Wood	82115/2	2,995		
66	30	28.5	P-Lam	82115/5	2,285		
72	30	28.5	Wood	82116/2	3,180		
72	30	28.5	P-Lam	82116/5	2,400		
78	30	28.5	Wood	82117/2	3,370		
78	30	28.5	P-Lam	82117/5	2,535		
84	30	28.5	Wood	82118/2	3,560		
84	30	28.5	P-Lam	82118/5	2,650		
90	30	28.5	Wood	82119/2	3,745		
90	30	28.5	P-Lam	82119/5	2,720		

1¼" Top (Taper, Facet, Flow Form Edge)

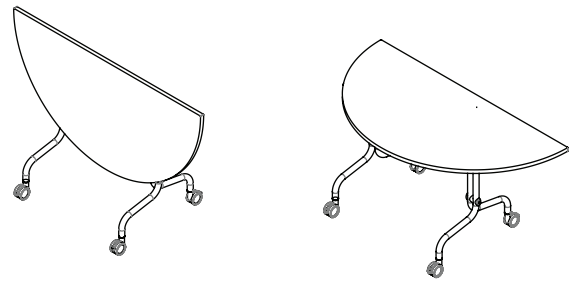
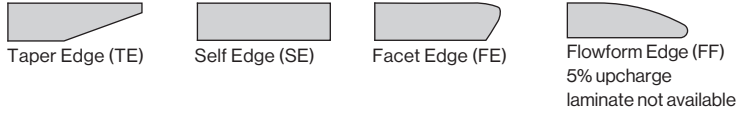
L"	x	W"	x	H"	Top Finish	Model No.	List Price
60	24	29	Wood	82132/2	2,535		
60	24	29	P-Lam	82132/5	2,000		
66	24	29	Wood	82133/2	2,690		
66	24	29	P-Lam	82133/5	2,110		
72	24	29	Wood	82134/2	2,845		
72	24	29	P-Lam	82134/5	2,210		
78	24	29	Wood	82135/2	3,005		
78	24	29	P-Lam	82135/5	2,320		
84	24	29	Wood	82136/2	3,165		
84	24	29	P-Lam	82136/5	2,425		
90	24	29	Wood	82137/2	3,325		
90	24	29	P-Lam	82137/5	2,535		
60	30	29	Wood	82138/2	2,815		
60	30	29	P-Lam	82138/5	2,165		
66	30	29	Wood	82139/2	2,995		
66	30	29	P-Lam	82139/5	2,285		
72	30	29	Wood	82140/2	3,180		
72	30	29	P-Lam	82140/5	2,400		
78	30	29	Wood	82141/2	3,370		
78	30	29	P-Lam	82141/5	2,535		
84	30	29	Wood	82142/2	3,560		
84	30	29	P-Lam	82142/5	2,650		
90	30	29	Wood	82143/2	3,745		
90	30	29	P-Lam	82143/5	2,720		

PIVOT TABLE - NO MODESTY PANEL



Tables shown this page are standard with tubular steel legs, locking casters, Top is 1" thick for self edge and 1 1/4" thick for profile edges.

Wood tables have 1/8" solid wood self edge.
 P-Lam tables have 1/8" translucent edge.
 Specify edge type; add the two letter code after the model number.



1" TOP (SELF EDGE)

L"	x	W"	x	H"	Top Finish	Model No.	List Price
48		24		28.5	Wood	82144/2	1,730
48		24		28.5	P-Lam	82144/5	1,390
60		30		28.5	Wood	82145/2	2,215
60		30		28.5	P-Lam	82145/5	1,715

1 1/4" Top (Taper, Facet, Flow Form Edges)

L"	x	W"	x	H"	Top Finish	Model No.	List Price
48		24		29	Wood	82146/2	1,730
48		24		29	P-Lam	82146/5	1,390
60		30		29	Wood	82147/2	2,215
60		30		29	P-Lam	82147/5	1,715

