

COMMANDER

busk + hertzog

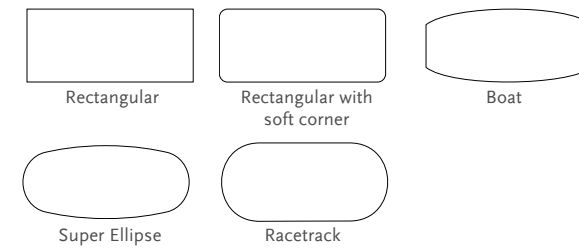


COMMANDER

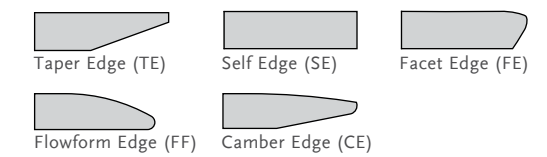
busk + hertzog

SURFACE SHAPES

All standard Nienkamper veneers and laminates.



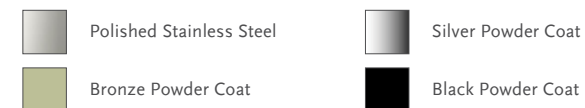
EDGE DETAILS



SIZES

Commander conference table is available in standard sizes:
 Width: 48", 54", 60"
 Length: 120", 132", 144", 156", 168", 180", 192", 204", 216", 228", 240"

BASE FINISH OPTIONS

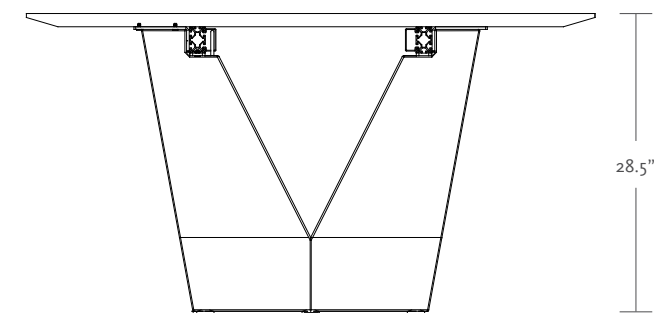


CONNECTIVITY

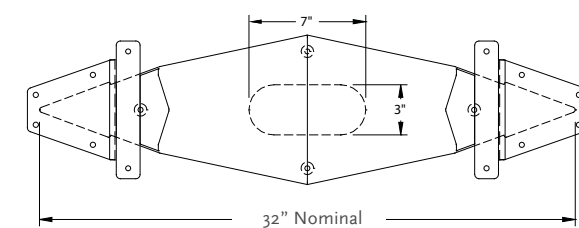
Nienkamper offers connectivity solutions for the Commander Table, our Vox® S Series Forum, M Series Forum or SIMPLE Pop Up Forum provide a variety of power/data/AV options for your needs.

Commander controls cables by use of both wire management strips and removable clips that integrate into the structural rail. The base is equipped with 2 generous pass through holes positioned in a way that allows easy access while remaining virtually hidden. Cables enter the base at its top near the rail and exit the bottom of the hollow base via a 7" x 3" cutout.

SIDE ELEVATION



PLAN VIEW OF CABLE ACCESS IN BASE



CABLE MANAGEMENT



Top has been removed for clarity.

COMMANDER

busk + hertzog

Boasting confident clean lines and a sculptural base, Commander sets the tone with its powerful boardroom presence. Commander's bold stainless steel base has strong visual interest from every angle, its innovative shape and unique design sets it apart from any other. Available with full connectivity, Commander is in charge.

