

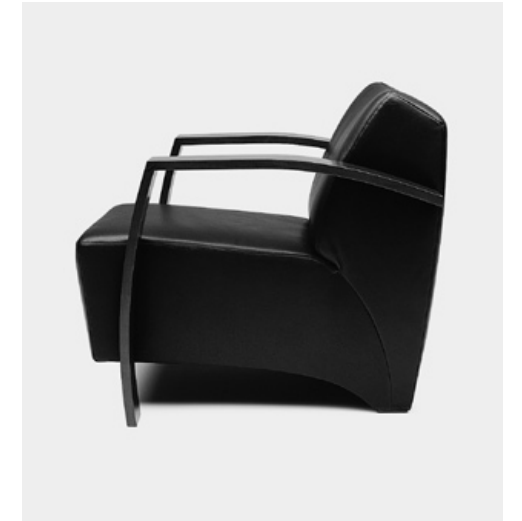
Max
Design: Mark Müller

nienkämper

ICFgroup

ICF • Unika Vaev • Nienkämper • Helikon
800 668 9318
mail@nienkamper.com

Max
Design: Mark Müller



Max is a comprehensive series providing lounge seating for reception, lobby, private office and residential areas.

Max serpentine and semicircular shapes are ideally suited to large public and residential areas.

Max curved elements can also be combined with Max straight elements to create innovative seating configurations for large spaces.

Frame:
Wood laminate and hardwood construction, webbed suspension.

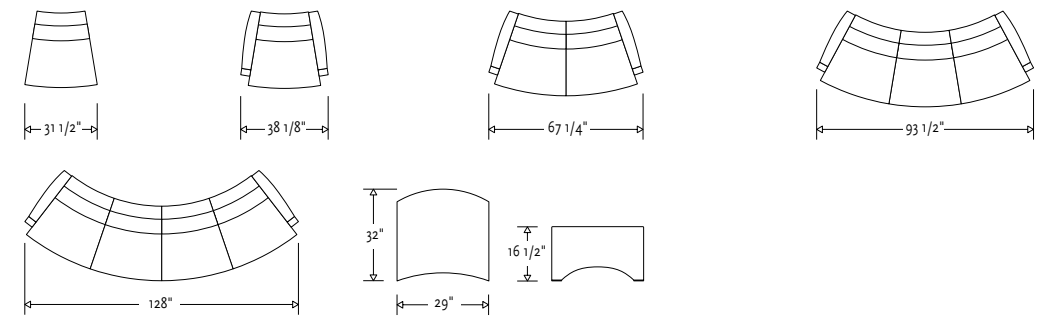
Seat and Back:
Cut soft polyurethane foam, soft fortrel and dacron. Upholstered in leather or fabric.

Arms:
Four arm options are available: fully upholstered with a solid wood foot; open wood arm; wood arm with upholstered panel; wood arm with wood panel. All are available in standard Nienkämper wood veneers and stains, or ebonized.

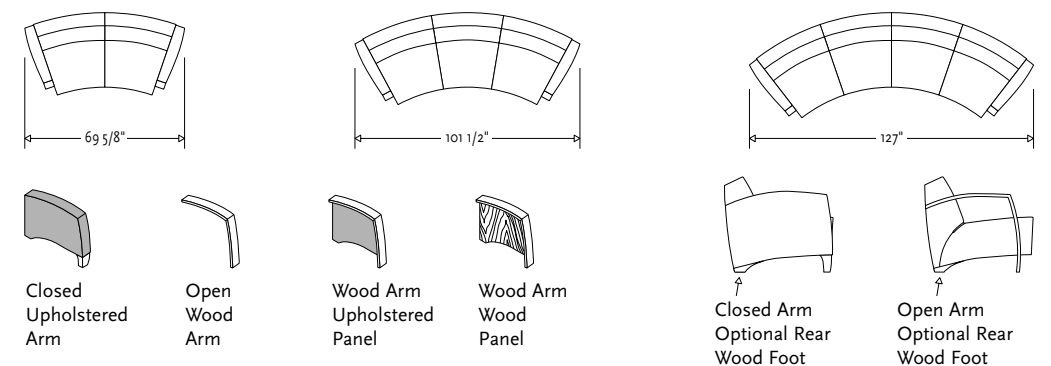
Special Features:
L-shaped sofas can be constructed utilizing either square or radius corner elements.

Refer to the tables section of the Nienkämper catalogue for details on the Max table.

112 Convex series



113 Concave series



Max
Design: Mark Müller



This is where dynamic styling and exceptional comfort intersect



Max
Concave and convex options – on their own or in combination – are ideal for those who don't think in straight lines

